

400 Series 404D-22 Industrial

38 kW / 51 bhp @ 3000 rpm

The Perkins® 400D range has been developed in consultation with our marketplace. This 2.2 litre, 4 cylinder engine complements the exciting 400 Series product line-up, offering customers a choice of compact, lightweight power units whilst maintaining all the customer benefits they can experience from other products in the range.

The 400 Series engine family continues to set new standards in the compact engine market. Developed alongside customers to fulfil their needs in the construction, materials handling, agricultural/turf, genset and compressor markets, it has become another class leading diesel range from Perkins.

Long 500 hour service intervals, a two year standard warranty, low noise and harshness, and a wide range of options make the 400 Series range the complete solution for compact power needs.

The 404D-22 is a very quiet 2.2 litre unit delivering improved performance and reduced operating costs in a small, efficient package ideal for a range of off-highway applications.



Ultra-compact power

- Up to 38 kW (51 hp) from an engine envelope of 0.22 cubic metres (7.7 cubic feet)
- Coolant temperature of 112°C allows reduction in radiator size
- Oil and filter changes are 500 hours, dependent on load factor.
- Engine durability and reliability, the warranty offering, and ease of installation combine to drive down the cost of ownership.

Clean and quiet

- A 3 dBA improvement in bore engine noise
- Noise levels have been kept to a minimum
- Subjective harshness has been carefully controlled making the engine sound even quieter
- Choice of noise reducing fan option

Durable power

- Product design and process improvements enhance both engine reliability and durability
- An improved governor and new compliance testing deliver reliability of 6,000 hours
- A standard 2-year warranty demonstrates our confidence in durability and reliability.

Low operating costs

- Approved for operation on biodiesel* concentrations of up to 20%.

Product support

- With highly trained Perkins distributors in thousands of communities in over 180 countries, you are never far away from expert product knowledge, genuine parts and a range of advanced diagnostic technology for keeping your engine in peak condition
- Warranties and Service Contracts

We provide one-year warranties for constant speed engines and two-year warranties for variable speed models, as standard. These are supported by multilevel Extended Service Contracts that can be bought additionally

[Discover more](#)

www.perkins.com

www.perkins.com/esc

www.perkins.com/distributor

To find your local distributor

Performance Data	Gross Power	Speed rpm
Power Output (kW)	38.0	3000
Power Output (hp)	51.0	3000
Peak Torque (Nm)	142.7	1800
Peak Torque (lbf-ft)	105.2	1800

Power output for a run-in engine after 60 hours.

*Subject to conformance with ASTM D6751 and EN14214.

Photographs are for illustrative purposes only and may not reflect final specification.

All information in this document is substantially correct at time of printing and may be altered subsequently.

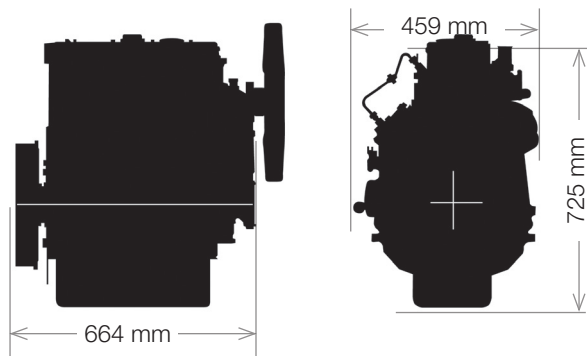
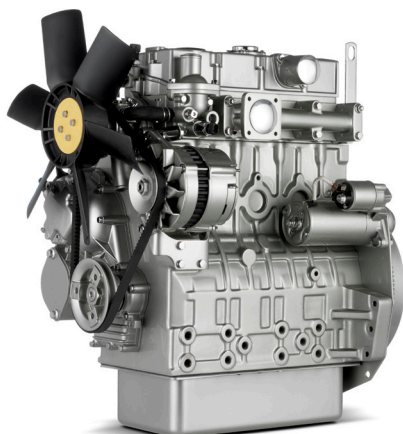
Publication No.PN1819/07/13 Produced in England ©2012 Perkins Engines Company Limited

 **Perkins®**

THE HEART OF EVERY GREAT MACHINE

400 Series 404D-22 Industrial

38 kW / 51 hp @ 3000 rpm

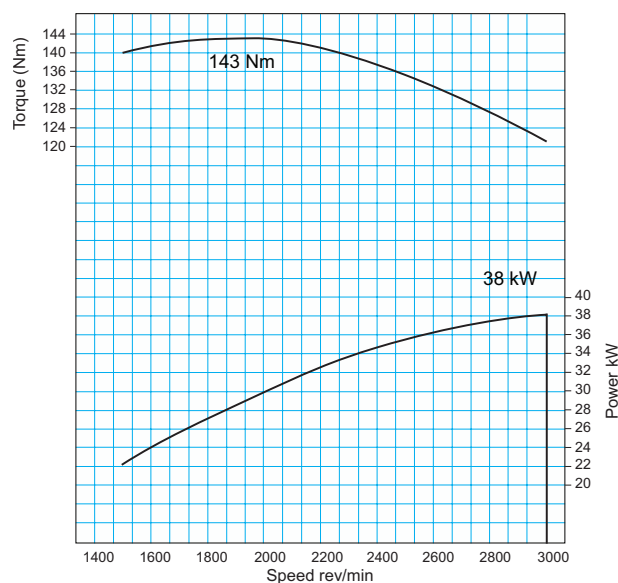


Engine specification

- Cast iron engine block
- Flywheel and flywheel housing
- CTD fuel injection pump
- Spin on fuel filter
- Glow plug starting aid
- Lub oil sump
- Spin on lub oil filter
- Inlet manifold
- Cast iron exhaust manifold – side outlet
- Coolant pump belt driven
- Choice of cooling fans
- Starter motor 12 volt and 24 volt
- Alternator 12 volt and 24 volt
- ESOS (Electric shut-off solenoid)
- Lub oil pressure switch
- Coolant temperature switch
- SAE A PTO
- High and low fan positions

Option groups

A selection of optional items is available to enable you to prepare a specification precisely matched to your needs.



Engine data

Number of cylinders	4 in-line
Bore and stroke.....	84 x 100 mm (3.3 x 3.9 in)
Displacement	2.2 litres (135 cubic in)
Aspiration	Naturally aspirated
Cycle.....	4 stroke
Combustion system.....	Indirect injection
Compression ratio	24:4:1
Rotation.....	Anti-clockwise viewed on flywheel
Cooling system.....	Liquid
Total lubrication capacity.....	10.6 litres (2.8 US gals)
Total coolant capacity	3.6 litres (1.0 US gals)
Dimensions	
Length	664 mm (26.1 in)
Width.....	459 mm (18.1 in)
Height.....	725 mm (28.5 in)
Dry weight	184 kg (406 lb)

Final weight and dimensions will depend on completed specification.

Photographs are for illustrative purposes only and may not reflect final specification.

All information in this document is substantially correct at time of printing and may be altered subsequently.
 Publication No.PN1819/07/13 Produced in England ©2012
 Perkins Engines Company Limited

Perkins Engines Company Limited

Peterborough PE1 5FQ
 United Kingdom
 Telephone +44 (0)1733 583000
 Fax +44 (0)1733 582240
www.perkins.com



THE HEART OF EVERY GREAT MACHINE